

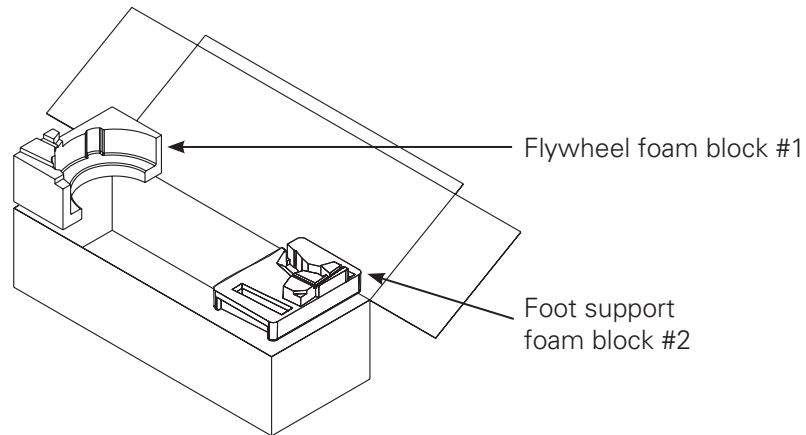
# REBOXING MODEL C AND D INDOOR ROWER

Applies to all Model Cs and Model Ds built before July 31, 2006.

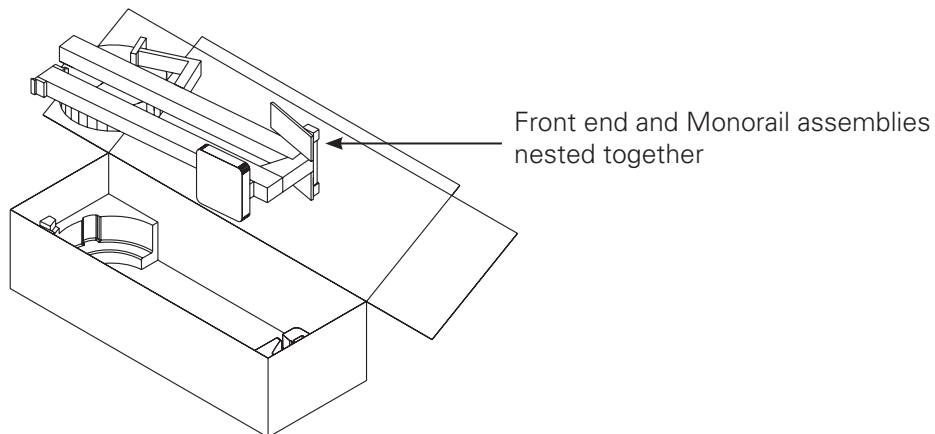
**TOOLS NEEDED:** 6 lobe driver, packing tape

- 1** Remove and disassemble the front legs and the framelock. Package framelock pieces and screws together in a bag. Place legs as directed and framelock bag inside the foot support foam block #3 in **STEP 4**.

**2**



**3**



**4**

