

Assembly Instructions

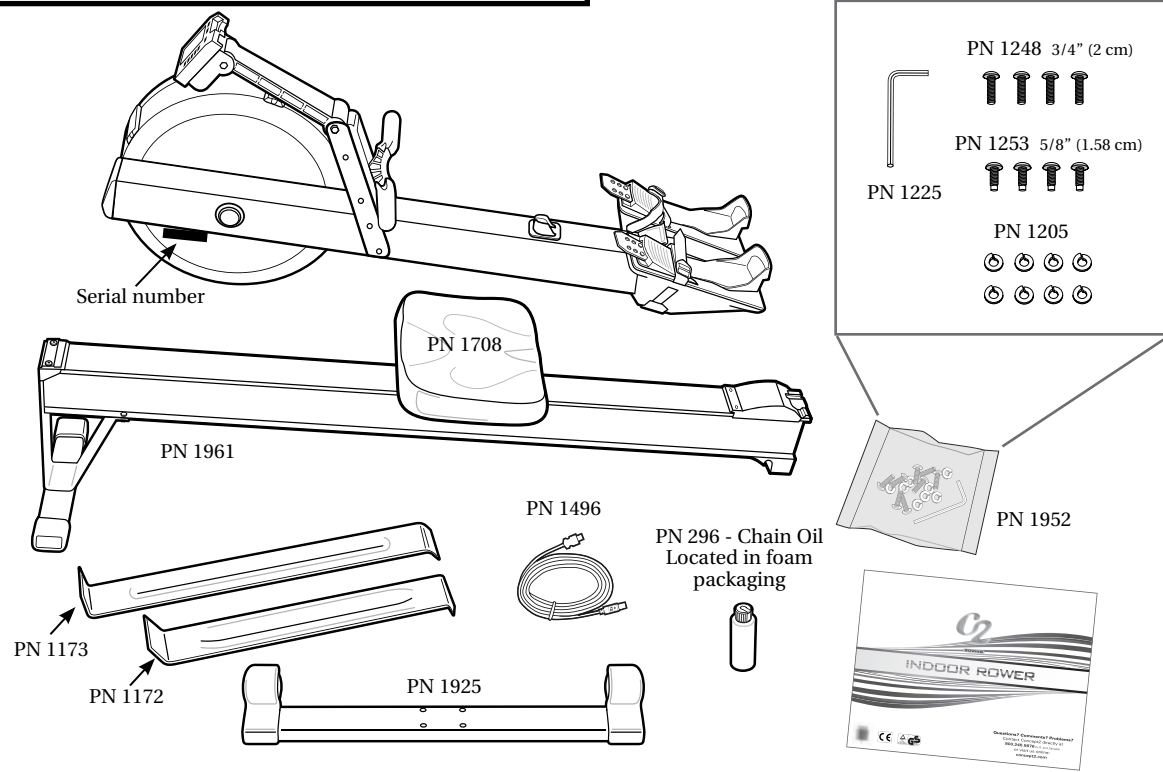
See inside for Model E assembly instructions.

MODEL D

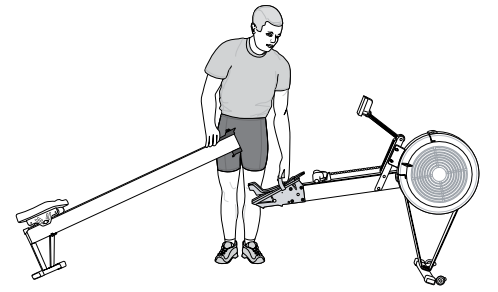
0412rev0613

IMPORTANT NOTE:
Use these instructions for **MODEL D** assembly.

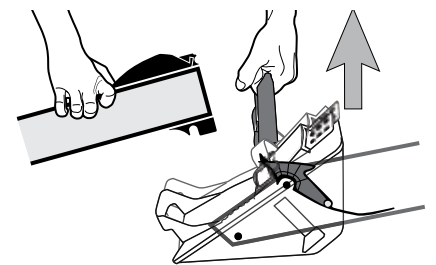
MODEL D



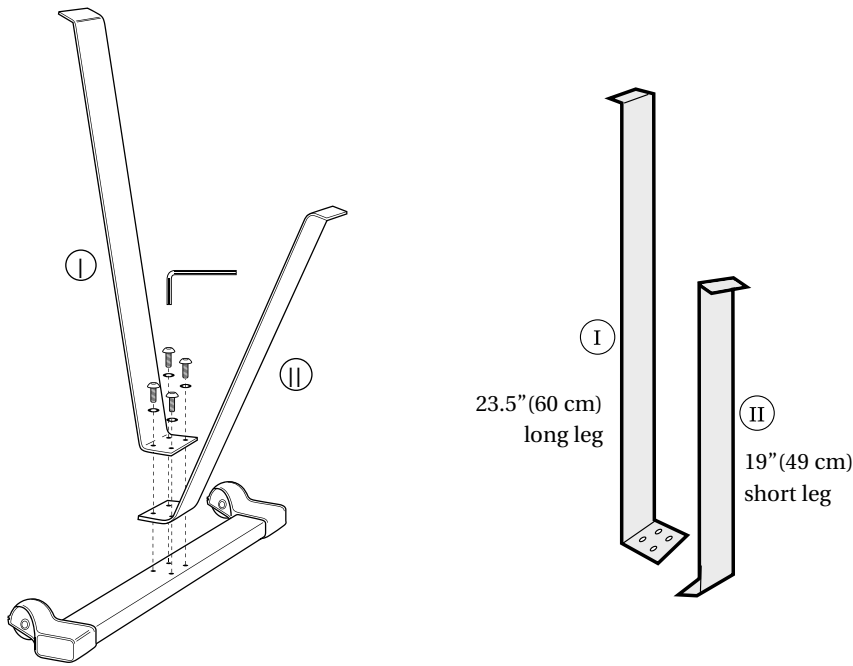
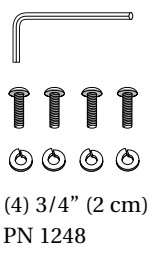
3



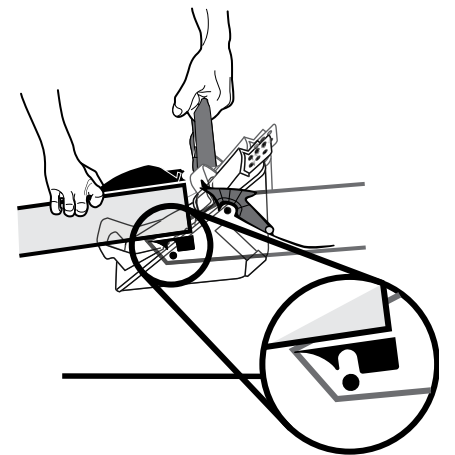
1.



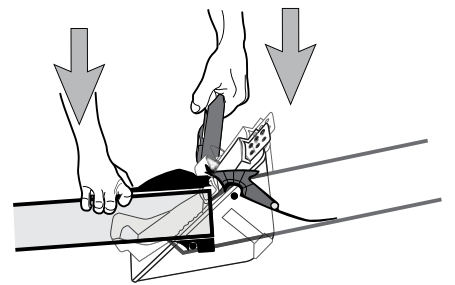
1



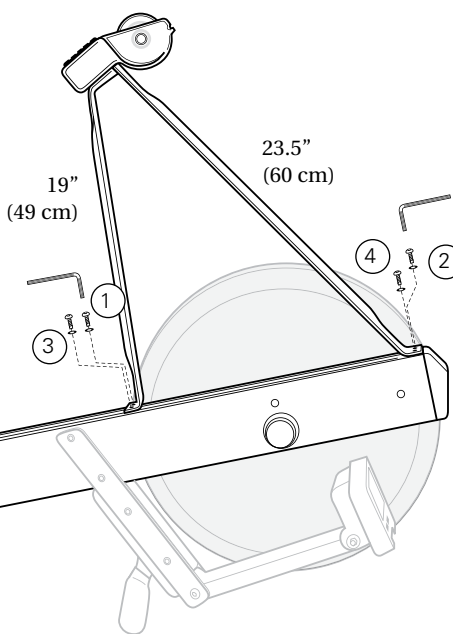
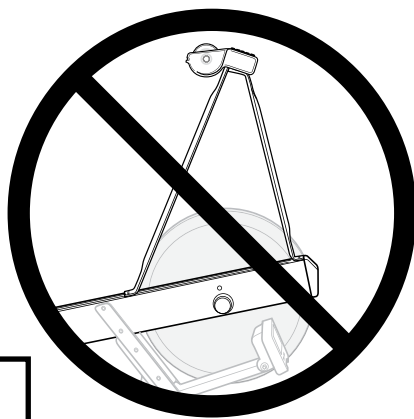
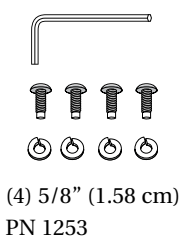
2.



3.

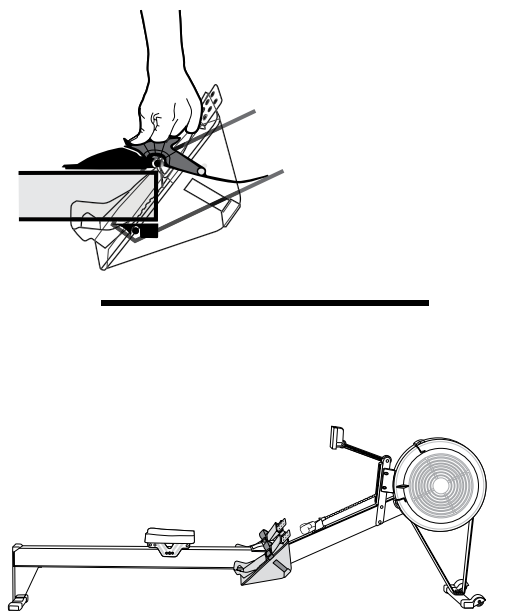


2



Assembly Tip
Finger tighten each screw in place before tightening fully.

4.



FOR PM4 ONLY

