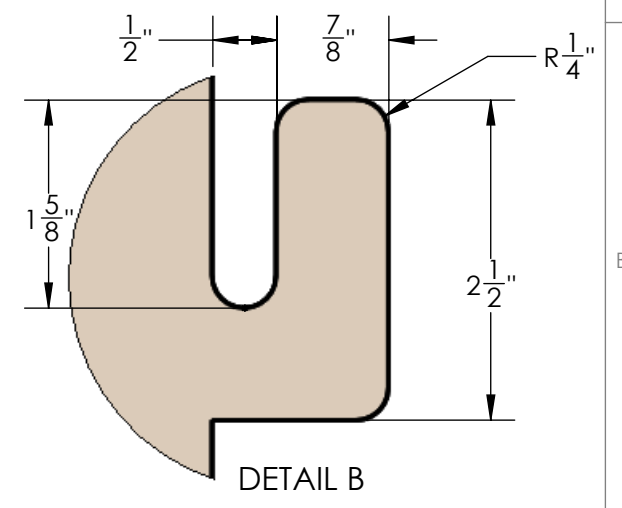
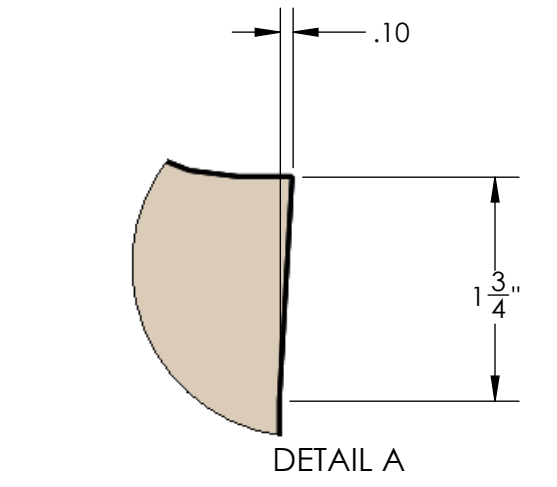
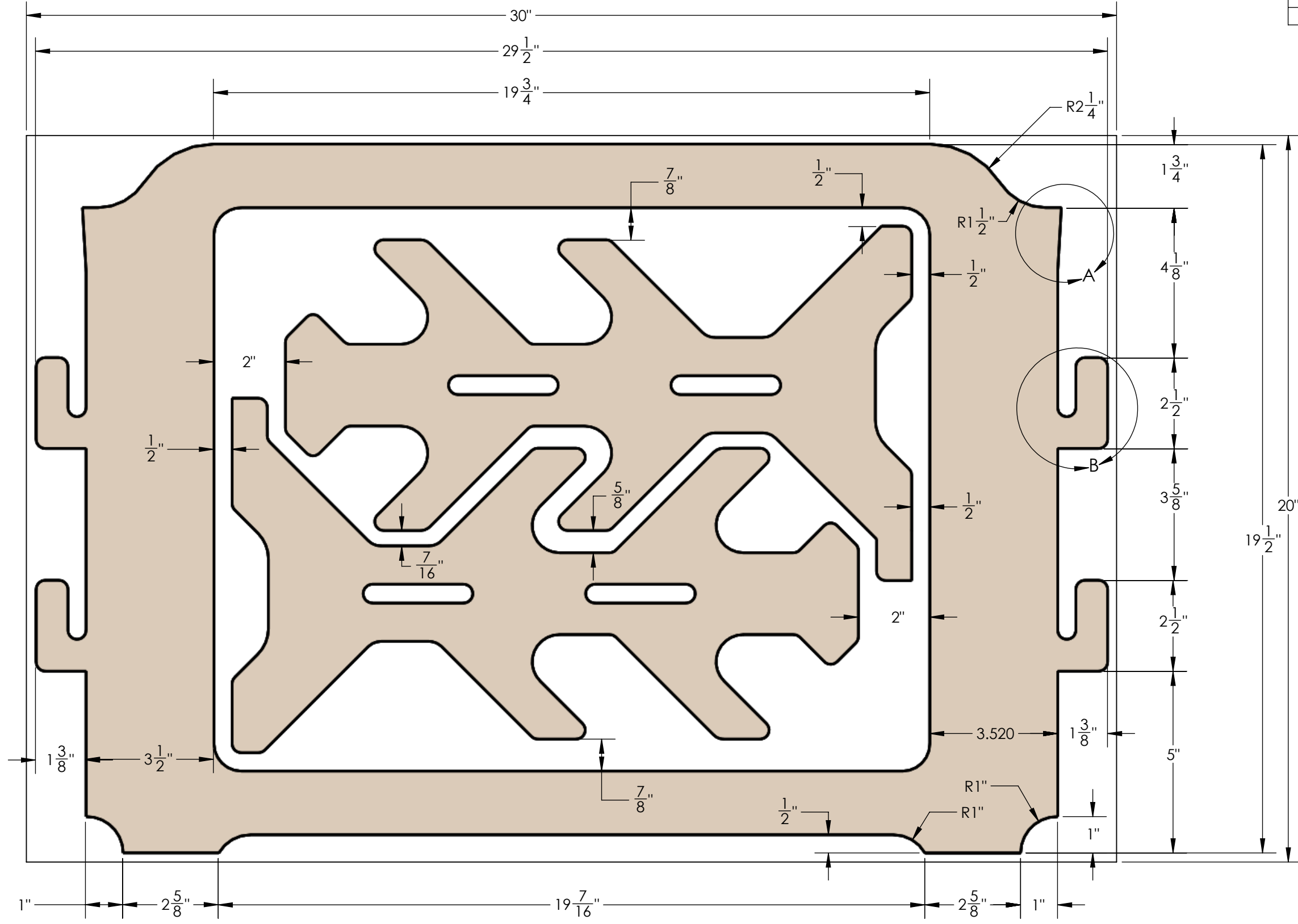
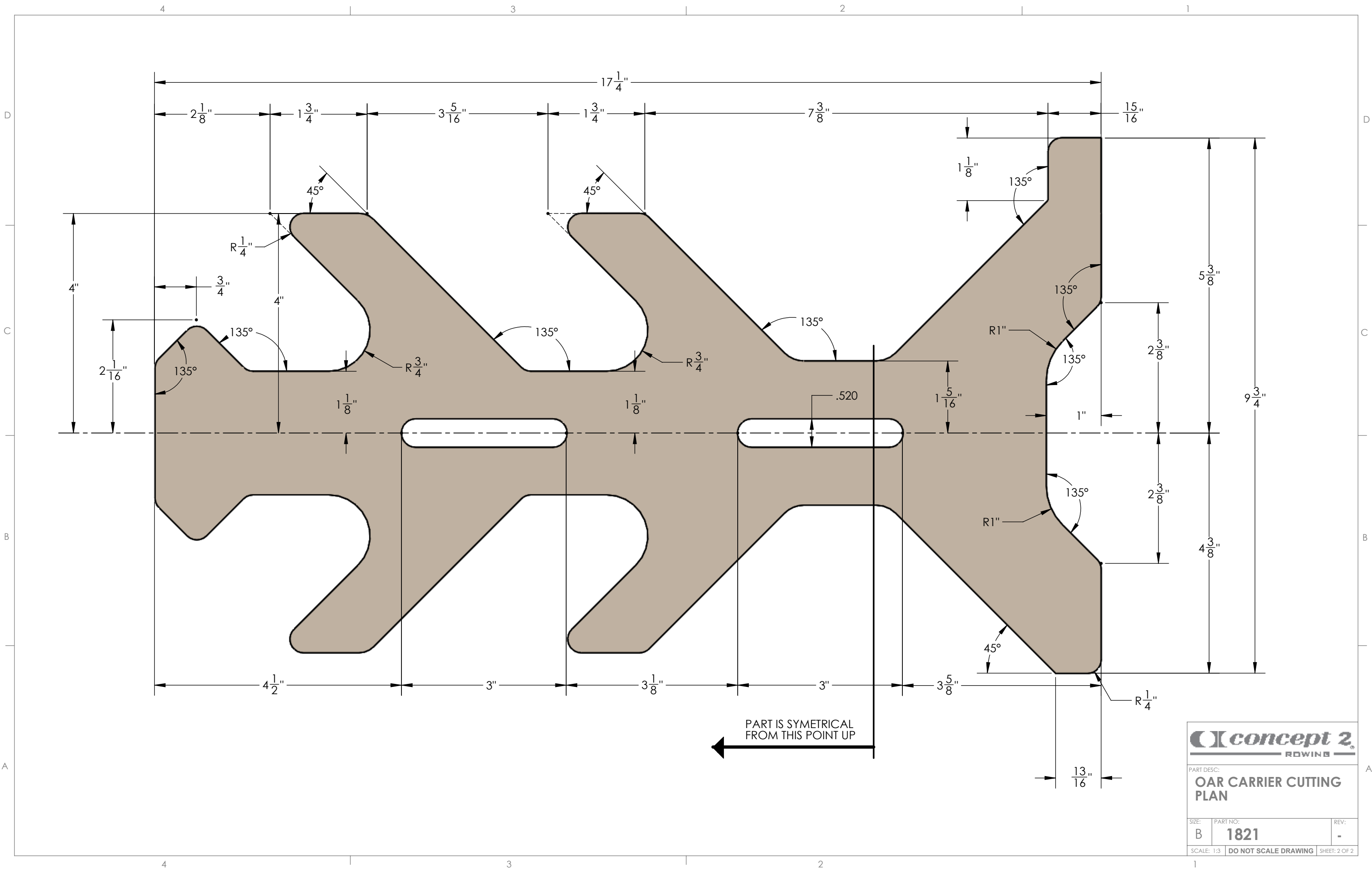


REVISIONS				
ZONE	REV.	DESCRIPTION	DATE	APPROVED



- NOTES:**
1. ALL DIMENSIONS IN INCHES - POST FINISH.
  2. MATERIAL 20" x 30" 1/2" BALTIC BIRCH PLYWOOD

UNLESS OTHERWISE SPECIFIED DIMENSIONS ARE IN INCHES AND TOLERANCES ARE: .XX ± .01 FRACTIONS ± 1/16 .XXX ± .005 < ± 0.5°	APPROVALS	DATE	
	MODELED BY: ESFESF	11/1/2014	
MATERIAL: 1/2" BALTIC BIRCH PLYWOOD	DRAWN: ESF	11/1/2014	PART DESC:
	CHECKED:		<b>OAR CARRIER CUTTING PLAN</b>
FINISH: UNFINISHED	THIRD ANGLE PROJECTION		SIZE: PART NO:
			B 1821
WEIGHT: N/A	SCALE: 1:3		REV: -
DO NOT SCALE DRAWING			SHEET: 1 OF 2



PART IS SYMETRICAL FROM THIS POINT UP

**concept 2**  
ROWING

PART DESC:  
**OAR CARRIER CUTTING PLAN**

SIZE: B	PART NO: <b>1821</b>	REV: -
SCALE: 1:3		DO NOT SCALE DRAWING
		SHEET: 2 OF 2