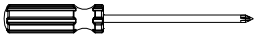
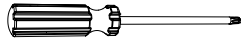


SKIERG GENERATOR COIL REPLACEMENT

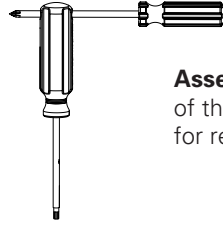
TOOLS *not included



Short Phillips Screwdriver

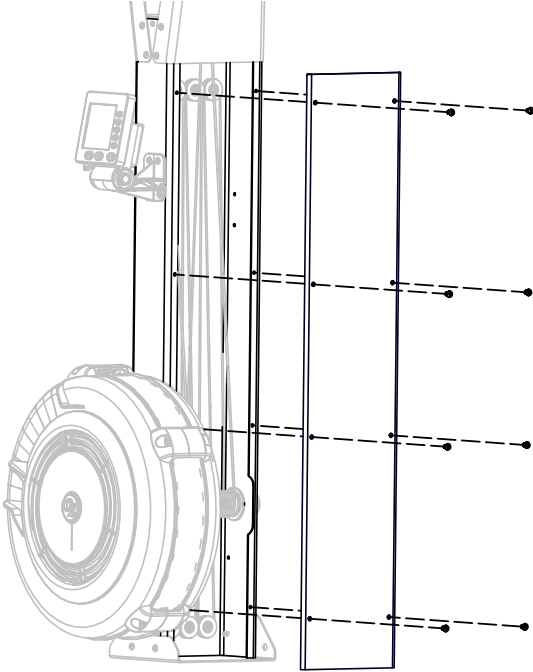


T27 6-Lobe Driver

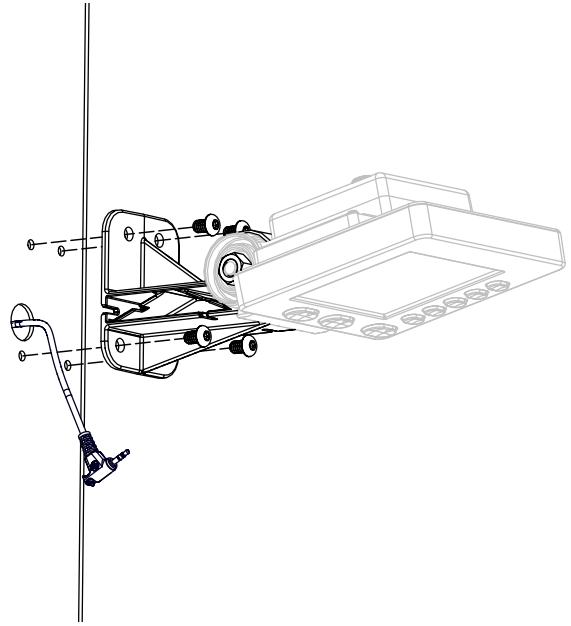


Assembly note: Create a T-handle driver out of the T-27 driver and the Phillips screwdriver for removing tight fasteners.

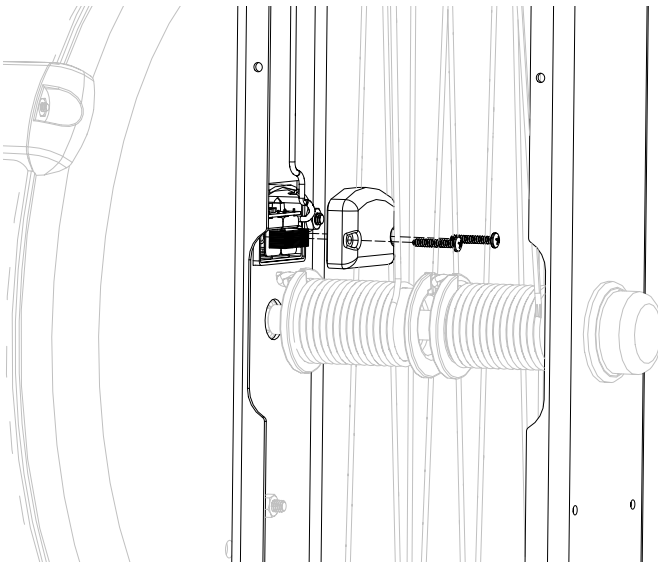
- 1 Remove the eight fasteners and the right side maintenance panel using the T-handle driver.



- 2 Remove the generator coil cable from the bottom of the PM5. Remove the four fasteners and the PM5 monitor mount.



- 3 Remove the two Phillips head fasteners and the generator housing cover.



- 4 Remove the generator from the housing. Release the tape from the inside of the box frame. Install the replacement generator coil by following the steps in reverse.

