

SLIDE BUNGEE REPLACEMENT AND RETROFIT INSTRUCTIONS

Enclosed Parts:

- (4) Bungee Cord (2/slide)
- (4) Metal Z-Bracket (2/slide)
- (4) Plastic Sleeve (2/slide)
- (4) Self-Drilling Screw (2/slide)
- (4) # 6 Nut and Screw (2/slide)
- (4) Plastic Strain Relief (2/slide)

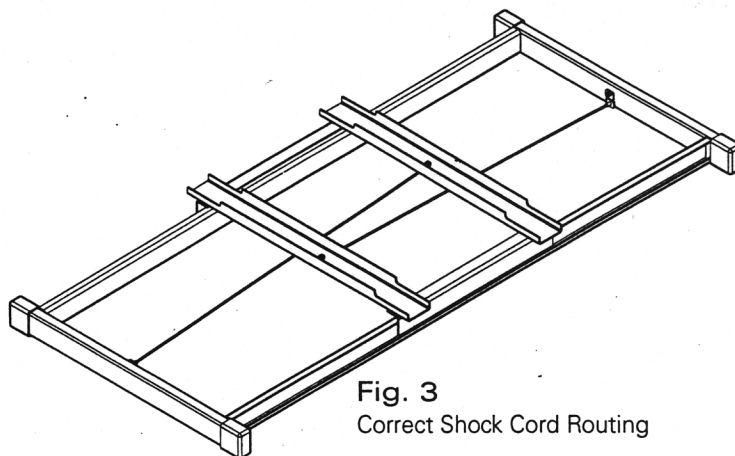


Fig. 3
Correct Shock Cord Routing

The enclosed parts were designed in response to Slide bungee cord wear problems noted in the field. Use of these components is optional but recommended on older slide units where the cord is looped around the Slide Base and routed through two holes in the Slide Carriage.

Installation Instructions:

- 1) Remove the old bungee cord, noting how it is routed.
- 2) Measure and mark the locations for the two Z-Brackets. See Fig. 1.
- 3) Using an electric screwdriver and the self-drilling screws, attach the two Z-brackets to the Slide Base.
- 4) Install the plastic sleeves in the Z-brackets.
- 5) Tie a knot in one end of the bungee cords and thread them through the Plastic Strain Reliefs. See Fig. 2.
- 6) Attach the Plastic Strain Reliefs to the Carriage with the screws and nuts. See Fig. 2.
- 7) Route the bungee cord through the Z-brackets as shown in Fig. 3. Tie a knot in the end of the bungee cords.
- 8) Adjust the tension of the bungee cords such that:
 - a) On a level surface, the carriage comes to rest within 4" of the middle of the base.
 - b) One of the bungee cords goes slack when the carriage is moved 2-4" from the center of the base.

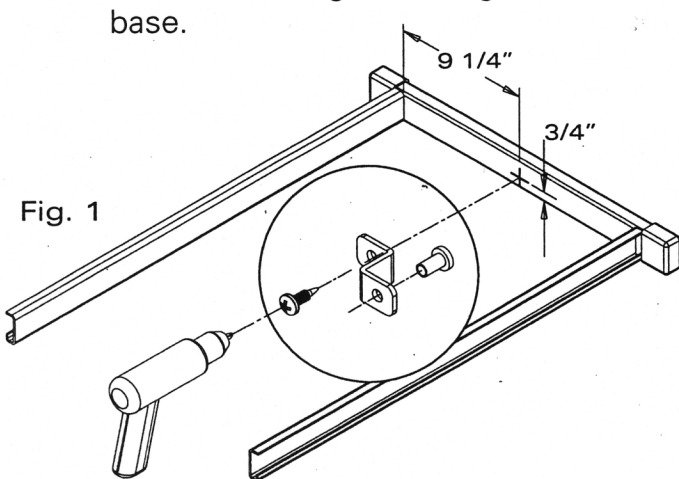


Fig. 1

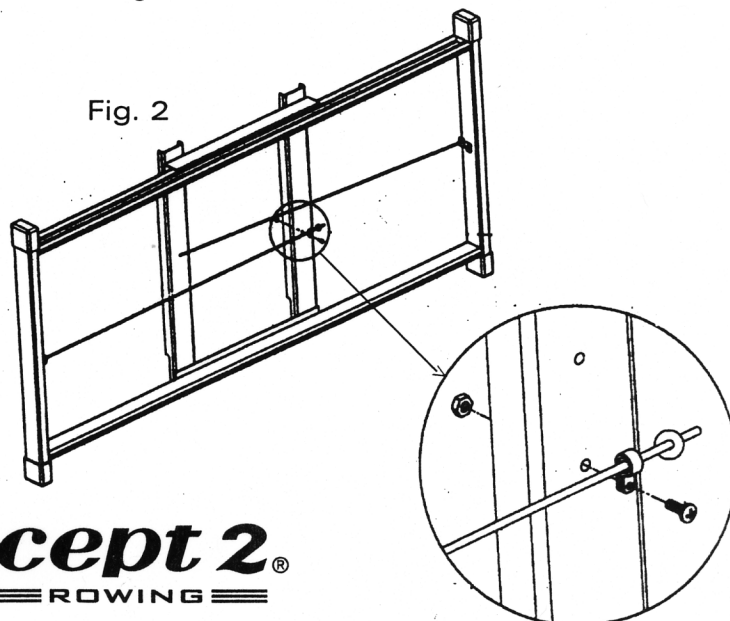


Fig. 2

concept 2
ROWING